

Length transducer, wire, 022735, 022736



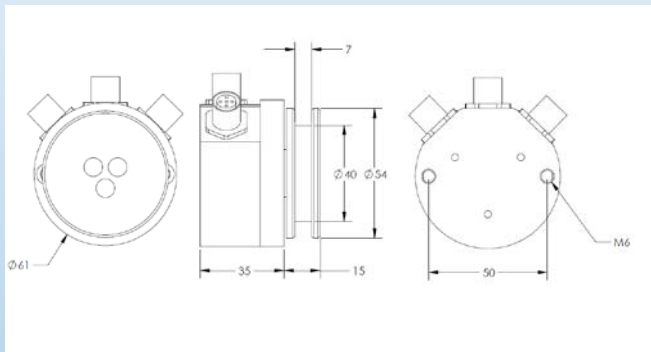
The length transducer measures length of a linear movement with a wire in a loop around it's measuring wheel.

The wires both ends has to be mounted with a fixed distance between them.

Normally used as a length sensor, measuring the drilled depth on drilling rigs. Attached to the cradle.

The transducer has 2 connectors for the CAN-Open communication including power supply and one connector with 2 digital inputs.

022736 has the termination resistor built in. therefore only one CAN-Open connector.



Technical data

Supply voltage	10 – 30 VDC
Power supply	<100mA
Measurement wheel	Diameter 40.0mm
Digital inputs	2
Type	Signal 1: Active high/ Signal 2: Active low
Bus Connection	CANOpen (ISO11896)
Nod ID	Default 1
Housing	Steel housing, zinc plated
Mounting	2 * M6 screws
Connections	
CAN-bus	Standard M12 A-code plug, 5 pin Male/Female
Digital Input	Standard M12 A-code plug, 4 pin Male
Operating temp.	-40 - +70°C
Protection	IP67

