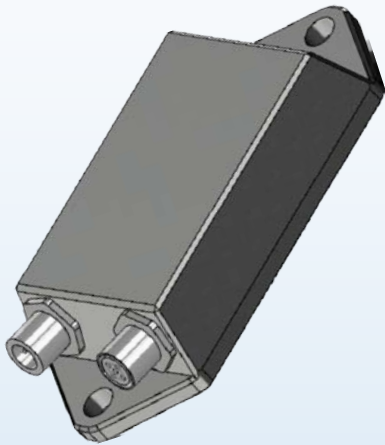


## 2 axis transducer for displaying angles in both vertical planes, 022570



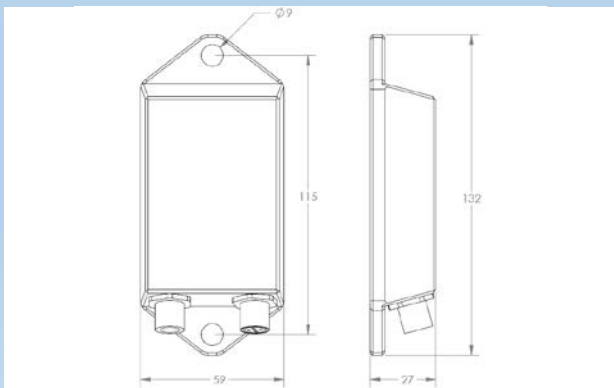
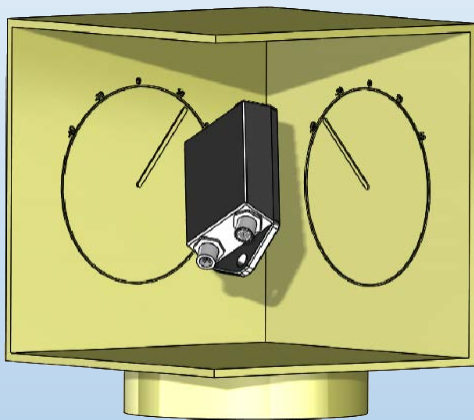
The transducer measures the angles compared to gravity and displays angles in both vertical planes.

The transducer has 2 connectors for the CAN-Open communication including power supply

The device is built to be used in harsh environment where high accuracy is needed.

The new way of calculating and display angles, increase the possibilities to measure vertical angles more accurate in a bigger measurement range.

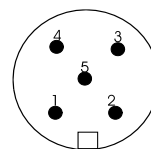
The angles are presented as vectors projected on the vertical planes.



### Technical data

<b>Supply voltage</b>	10 – 30 VDC
<b>Power supply</b>	<35mA
<b>Measurement range</b>	Plumbline $\pm 60^\circ$ , upwards and downwards
<b>Accuracy</b>	$\pm 0,25^\circ$
<b>Resolution</b>	Better than $0,01^\circ$
<b>Temp. stability</b>	$\pm 130 \cdot 10^{-6} / ^\circ\text{C}$
<b>Bus Connection</b>	CAN-Open

<b>Housing</b>	Aluminum
<b>Mounting</b>	2 * M8 screws
<b>Connection</b>	Standard M12 A-code plug, 5 pin Male/Female
<b>Operating temp.</b>	-40 - +70°C
<b>Protection</b>	IP67



PIN	Signal
1	Not Connected
2	10..30V DC (Supply voltage)
3	GND / 0V
4	CAN_H (dominant high)
5	CAN_L (dominant low)